

4

3

2

1

F

F

E

E

D

D

C

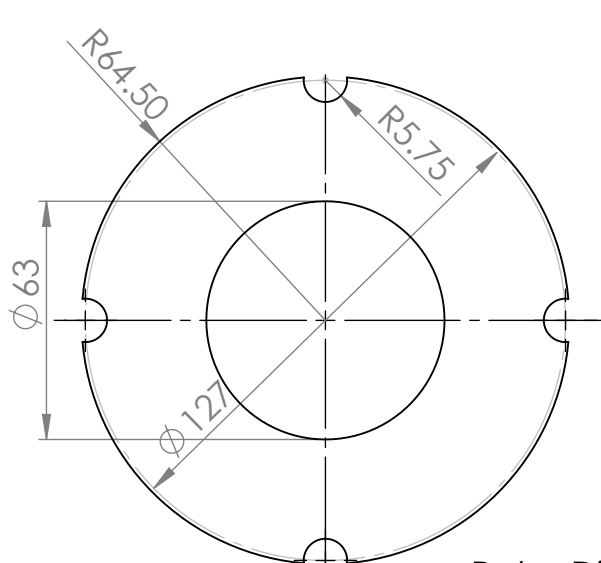
C

B

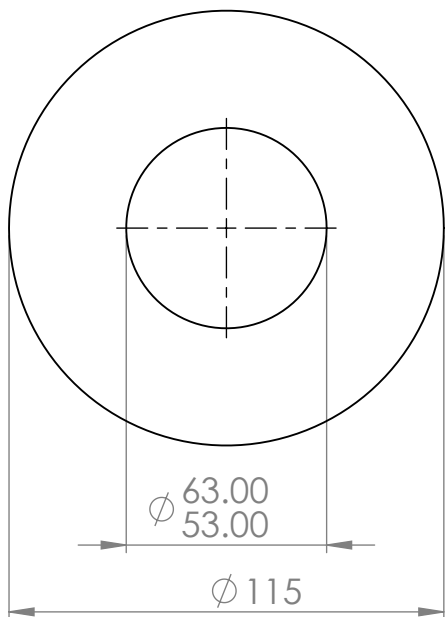
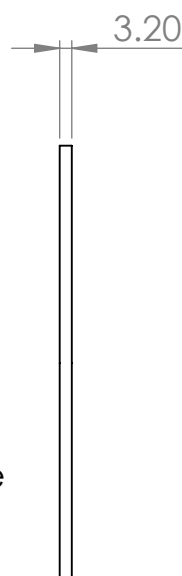
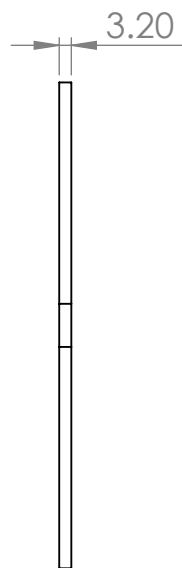
B

A

A



Rotor Disk as measured
Howard Yeoman 5298



Possible alternative
rotor disk

This information is provided on an As-is basis. There is nowarranty as to the accuracy of teh information inferred or otherwise

UNLESS OTHERWISE SPECIFIED: DIMENSIONS ARE IN MILLIMETERS SURFACE FINISH: TOLERANCES: LINEAR: ANGULAR:		FINISH:		DEBURR AND BREAK SHARP EDGES		DO NOT SCALE DRAWING		REVISION	
DRAWN		SIGNATURE		DATE		TITLE:			
JWILKES				6 Feb 2018		Howard Yeoman rotor disk Part 16135			
CHK'D						DWG NO.			
APPV'D									
MFG						jrww-26			
Q.A									
				MATERIAL:		A4			
				WEIGHT:		SCALE:1:2			
						SHEET 1 OF 1			

4

3

2

1