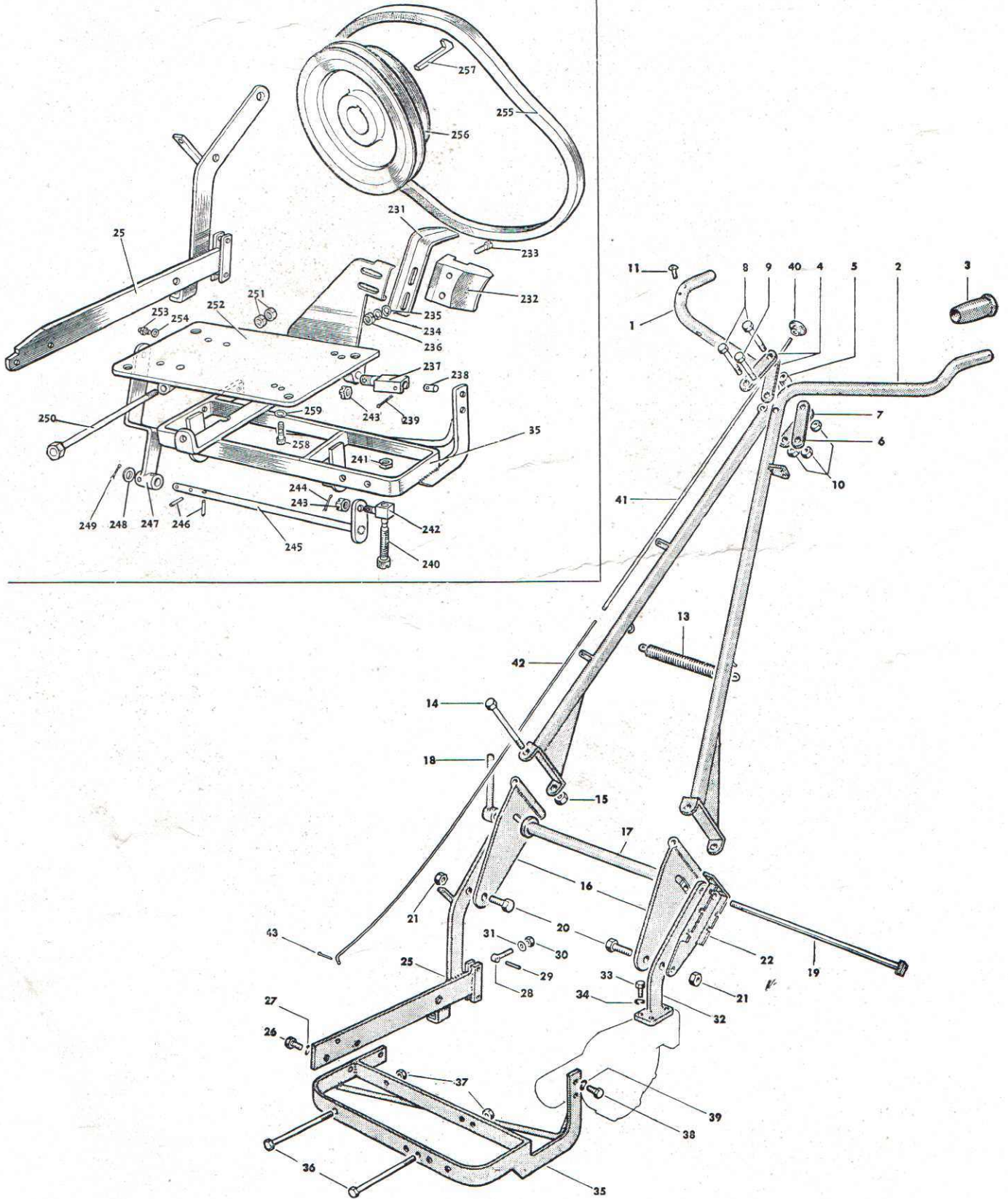


THE UNIVERSAL MOUNTING PLATE



STUB AXLE			
182	20417	Stub Axle—Nut	1
183		Oil Filler—Screw, $\frac{1}{4}$ " B.S.F. x $\frac{1}{4}$ " L. Rd. Hd.	1
		Oil Filler Screw—Fibre Washer $\frac{1}{4}$ " I.D. x $\frac{1}{16}$ " O.D. x $\frac{1}{16}$ " thick	2
184	20418	Draw Bolt, 10" model	1
	20910	Draw Bolt, 14" model	1
185	20415	Oilseal Housing	1
186	20416	Bush	1
187		Oilseal, 1.37" O.D. x .87" I.D. x .25" thick	1
188		Oilseal, 2.25" O.D. x 1.5" I.D. x .37" thick R4	1

ROTOR AND BLADES			
189	20407	Rotor, 10"	1
190	20565/L	Hoe Blade, L.H.	4
191	20565/R	Hoe Blade, R.H.	4
192	14144	Blade Bolts, Special	16
193		Spring Washer, $\frac{5}{16}$ " dia.	16
194		Nut, $\frac{5}{16}$ " U.N.F.	16
195	21083	Picktine Rotor, 10"	1
196	21236	Picktine	8
197	21087	Lucerne Tine	8
198	21086	Bolt	16
199		Spring Washer, $\frac{5}{16}$ " dia.	16
200		Nut, $\frac{5}{16}$ " B.S.F.	16
189	20902	Rotor, 14"	1
190	20917/L	Hoe Blade, L.H.	4
191	20917/R	Hoe Blade, R.H.	4
192	14144	Blade Bolt—Special	16
193		Spring Washer, $\frac{5}{16}$ " dia.	16
194		Nut, $\frac{5}{16}$ " U.N.F.	16
195	21084	Picktine Rotor, 14"	1
196	21236	Picktine	10
197	21087	Lucerne Tine	10
198	21086	Bolt	20
199		Spring Washer, $\frac{5}{16}$ " dia.	20
200		Nut, $\frac{5}{16}$ " B.S.F.	20
201	20710	Blade Setting Bar	1

SHIELDS AND DEPTH CONTROL			
202	20887	Left Hand Support	1
203		Screw, $\frac{1}{4}$ " B.S.F. x $\frac{1}{4}$ " Long Rd. Hd.	1
204		Spring Washer, $\frac{1}{4}$ " dia.	1
205		Locknut, $\frac{1}{4}$ " B.S.F. Hx. Pln.	1
206	20496	Right Hand Support	1
207		Screw, $\frac{1}{4}$ " B.S.F. x $\frac{1}{4}$ " Long Rd. Hd.	2
208		Spring Washer, $\frac{1}{4}$ " dia.	2
209		Locknut, $\frac{1}{4}$ " B.S.F. Hx. Pln.	1
210		Screw, $\frac{1}{4}$ " B.S.F. x $\frac{3}{8}$ " long Ch. Hd.	2
211		Spring Washer, $\frac{1}{4}$ " dia.	2
212	20601	Front Shield, 10"	1
	20853	Front Shield, 14"	1
214	20504	Hand Lever	1
215	20505	Clip	1
216	20470	Spring	1
217		Bolt $\frac{1}{4}$ " B.S.F. x $1\frac{1}{2}$ " long Hx. Hd.	1
218		Locknut, $\frac{1}{4}$ " B.S.F. Hx. Pln.	1
219		Bolt, $\frac{5}{16}$ " B.S.F. x $\frac{3}{4}$ " long Hx. Hd.	1
220		Locknut, $\frac{5}{16}$ " B.S.F. Hx. Pln.	1
221	20503	Skid	1
222	20521	Rear Shield, 10"	1
	20908	Rear Shield, 14"	1
223		Setscrew (Rear Shield Pivot), $\frac{5}{16}$ " B.S.F. x $\frac{3}{4}$ " long Hx. Hd.	2
224		Spring Washer, $\frac{5}{16}$ " dia.	2
225	20709	Coach Bolt, $\frac{1}{4}$ " B.S.W. x $\frac{3}{4}$ " long	2
226		Washer, $\frac{1}{4}$ " dia.	2
227		Washer (Thackeray), $\frac{1}{4}$ " dia.	2
228		Nut, $\frac{1}{4}$ " B.S.W. Hx. Simmonds	2
229	20522	Trailing Shield, 10"	1
	20909	Trailing Shield, 14"	1
230		Rivet (Trailing Shield Pivot) $\frac{1}{4}$ " dia. x $\frac{3}{4}$ " L. Rd. Hd.	2

ENGINE MOUNTING			
231	21262	Belt Guard	1
232	20476	Brake Block	1
233		Adjusting Bolt $\frac{3}{16}$ " B.S.F. x $\frac{7}{8}$ " long	2
234		Spring Washer $\frac{1}{16}$ " dia.	2
235		Washer $\frac{1}{16}$ " dia.	2

236		Nut $\frac{3}{16}$ " B.S.F.	2
237	21295	Pivot Trunnion	1
238	21298	Plug	1
239		Split Pin $\frac{1}{8}$ " dia. x 1" long	1
240	21296	Adjusting Screw	1
241		Locknut $\frac{3}{8}$ " B.S.F.	1
242	21310	Trunnion	1
243		Slotted Nut $\frac{5}{16}$ " B.S.F.	2
244		Split Pin $\frac{1}{16}$ " dia. x 1" long	2
245	21453	Clutch Rod	1
246		Taper Pin (Type 'O' $\frac{1}{8}$ " dia. x $\frac{3}{4}$ " long).	2
247	21256	Clutch Lever	1
248		Washer $\frac{3}{8}$ " dia.	1
249		Split Pin $\frac{1}{16}$ " dia. x $\frac{3}{4}$ " long	1
250	21249	Pivot Bolt	1
251		Locknut $\frac{5}{16}$ " B.S.F.	2
252	21450	Mounting Platform	1
253		Grease Nipple $\frac{3}{8}$ " B.S.F. (Tec. NC.6056)	1
254	20600	Fibre Washer	1
255	AC.198	Vee Belt P.A.25	1
256	20200	Engine Pulley (Villiers 4 stroke)	1
	20280	Engine Pulley (Briggs & Stratton)	1
	21224	Engine Pulley (Clinton Kohler)	1
	20298	Engine Pulley Spacer (Briggs & Stratton, Clinton Kohler)	1
257		Gib Head Key $\frac{3}{16}$ " sq. x $1\frac{1}{4}$ " long	1
258		Setscrew, Mounting to Engine, $\frac{5}{16}$ " B.S.W. x $\frac{1}{2}$ " long Cadmium Plated (Villiers)	4
259		Spring Washer $\frac{5}{16}$ " dia. (Villiers)	4

1. PARTS COMMON TO ALL ENGINES (i.e. Villiers 2 stroke/Villiers 4 stroke/A.C./Briggs & Stratton/Clinton/Kohler).

20476	Brake Block	1
	Adjusting Bolt, $\frac{3}{16}$ " B.S.F. x $\frac{7}{8}$ " long	2
	Washer, $\frac{3}{16}$ " dia.	2
	Spring Washer, $\frac{1}{16}$ " dia.	2
	Nut, $\frac{3}{16}$ " B.S.F.	2
20421	Clutch Tension Spring	1
20378	Tension Bolt	1
20426	Spring	1
20241	Clutch Positioning Lever	1

2. VILLIERS ENGINE (2-stroke).

A.C.209	Air Cleaner	1
A.C.212	Air Cleaner Bracket	1
A.C.193	Air Cleaner Cap	1
20903	Elbow Bend	1
	Setscrew, $\frac{1}{4}$ " B.S.W. x $1\frac{1}{8}$ " long Hex. Hd.	1
	Spring Washer, $\frac{1}{4}$ " dia.	1
20907	Rubber Hose	1
20913	Jubilee Clip	1
G.276	Jubilee Clip	1
20472	Vee Belt Pulley	1
20707	Vee Belt (24 $\frac{1}{2}$ " inside length)	1
20636	Engine Pivot Hinge	2
20626	Pivot Hinge Bolt	2
	Locknut, $\frac{5}{16}$ " B.S.F.	2
	Shakeproof Washer, $\frac{5}{16}$ " dia. INT.	4
	Flip-Flap Oilers, 2 B.A.	4
20652	Clamping Plate	2
20654	Fulcrum Bracket	1
20653	Brake Bracket	1
	Splitpin, 5/64" dia. x $\frac{1}{4}$ " long	1
20810	Engine Stay comprising—	
20811	Stay Rod	1
20812	Connecting Strap	1
20813	Rubber Sleeve	2
20814	'U' Bolt	1
	Washer, $\frac{3}{8}$ " dia.	2
	Locknut, $\frac{3}{8}$ " B.S.F.	3
	Spring Washer, $\frac{1}{4}$ " dia.	2
	Nut, $\frac{1}{4}$ " B.S.F.	2

3. A.C. ENGINE.

A.C.209	Air Cleaner	1
A.C.212	Air Cleaner Bracket	1
A.C.193	Air Cleaner Cap	1
A.C.225	Rubber Hose	1
20913	Jubilee Clip	1
G.276	Jubilee Clip	1
A.C.198	Vee Belt 27" (Fenner P.A. 25)	1