

401700 to 401799
402700 to 402799

Illustrated Parts List

Model Series

401700 to 401799

TYPE NUMBERS

0010 and 0011
0110 through 0141
0510, 0511, 0611
0630 through 0633

402700 to 402799

TYPE NUMBERS

0010, 0011, 0015, 0016
0109 through 0113
0130 through 0186
0241, 0248

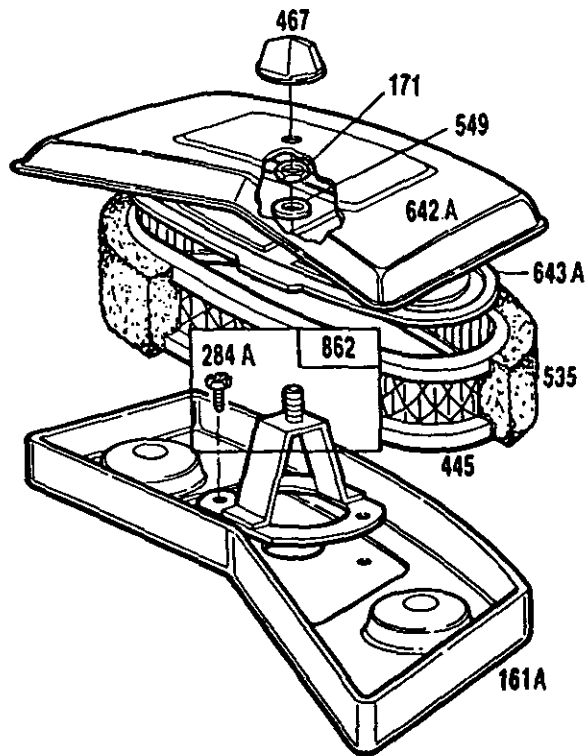
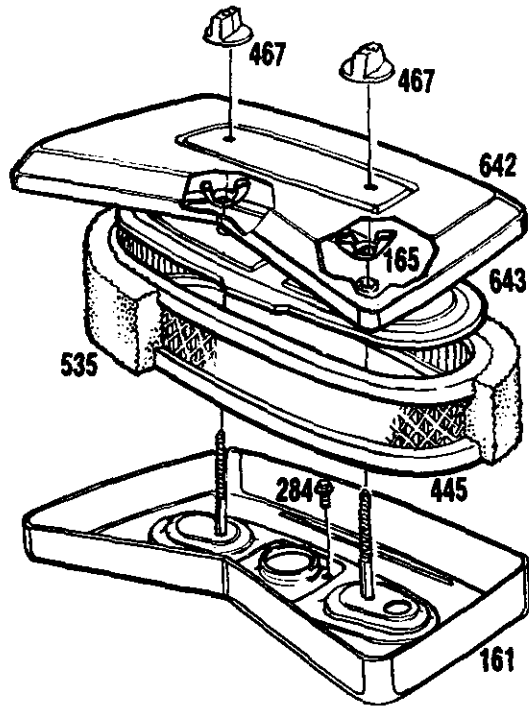
TO FIND

THE CORRECT NUMBER OF THE PART YOU NEED:

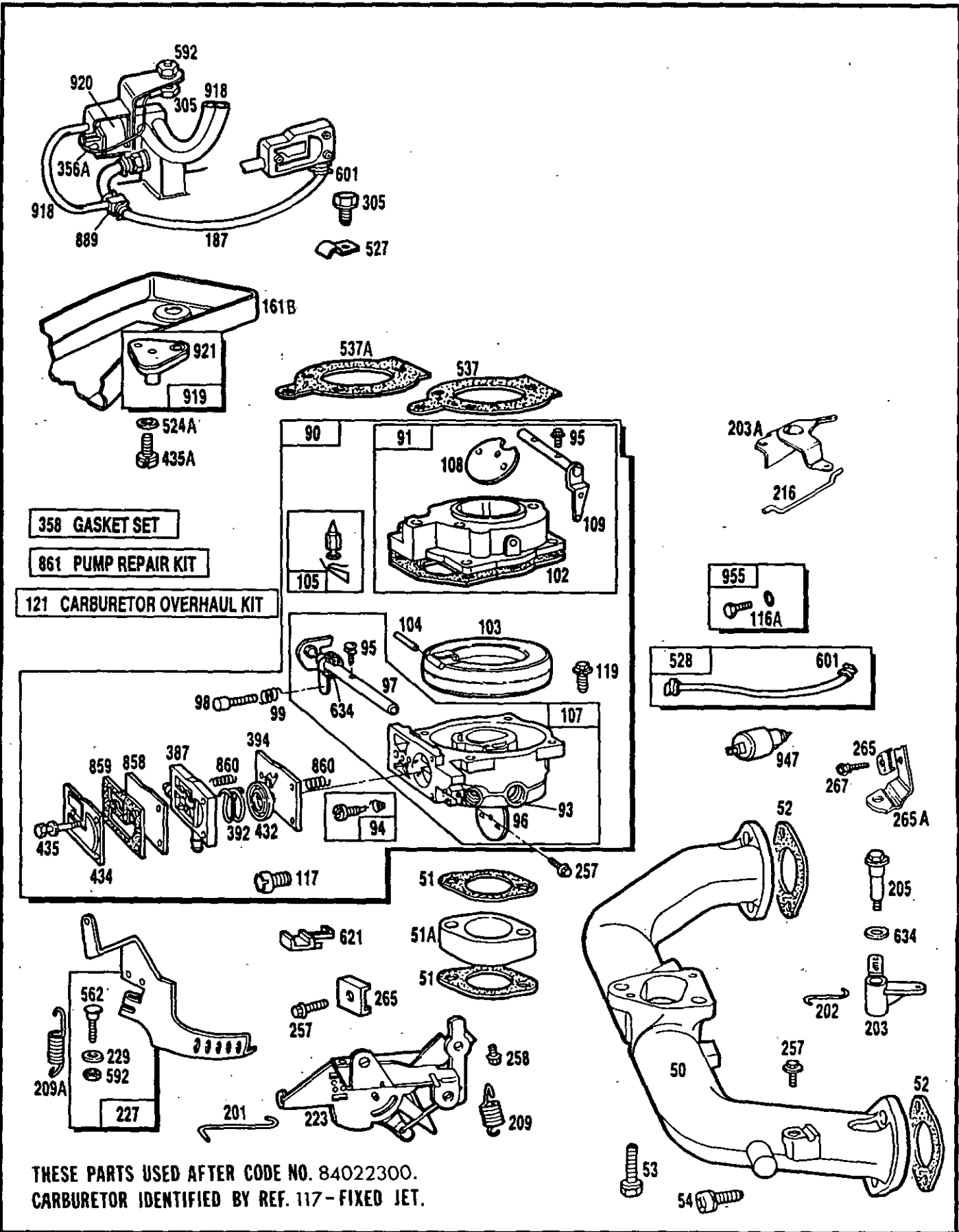
FOLLOW THE INSTRUCTIONS BELOW

- A. Refer to Engine Model, Type and Code Number that is stamped on the blower housing of engine. Engine type numbers such as 012301 are listed herein only as 0123. The two digits (01 or 02, etc.) to the right of the space are not needed for parts identification. Then use the Illustrated Parts List covering the Model Series.
- B. Refer to Illustrated Parts section and compare the old part with illustration. The number on the illustration is the Reference Number. Assemblies include all parts shown in frames. All parts shown in assembly frames on which individual reference numbers are given can be purchased separately.
- C. After the Reference Number has been identified, refer to the Numerical Parts List, where Reference and Master Part Number are listed. **THE MASTER PART IS USED ON ALL TYPE NUMBERS EXCEPT THOSE TYPE NUMBERS UNDER "NOTE".**
- D. If a "Note" appears below the Master Part Number, this means that this part differs from the Master Part for certain types. If the Type number is listed under "Note", order the part referred to.
- E. If the Engine Type Number does not appear after any part number listed under "Note", use the Master Part Number.
- F. For Type Numbers higher than those covered by this book, please refer to the factory if you are unable to identify the part by comparison.



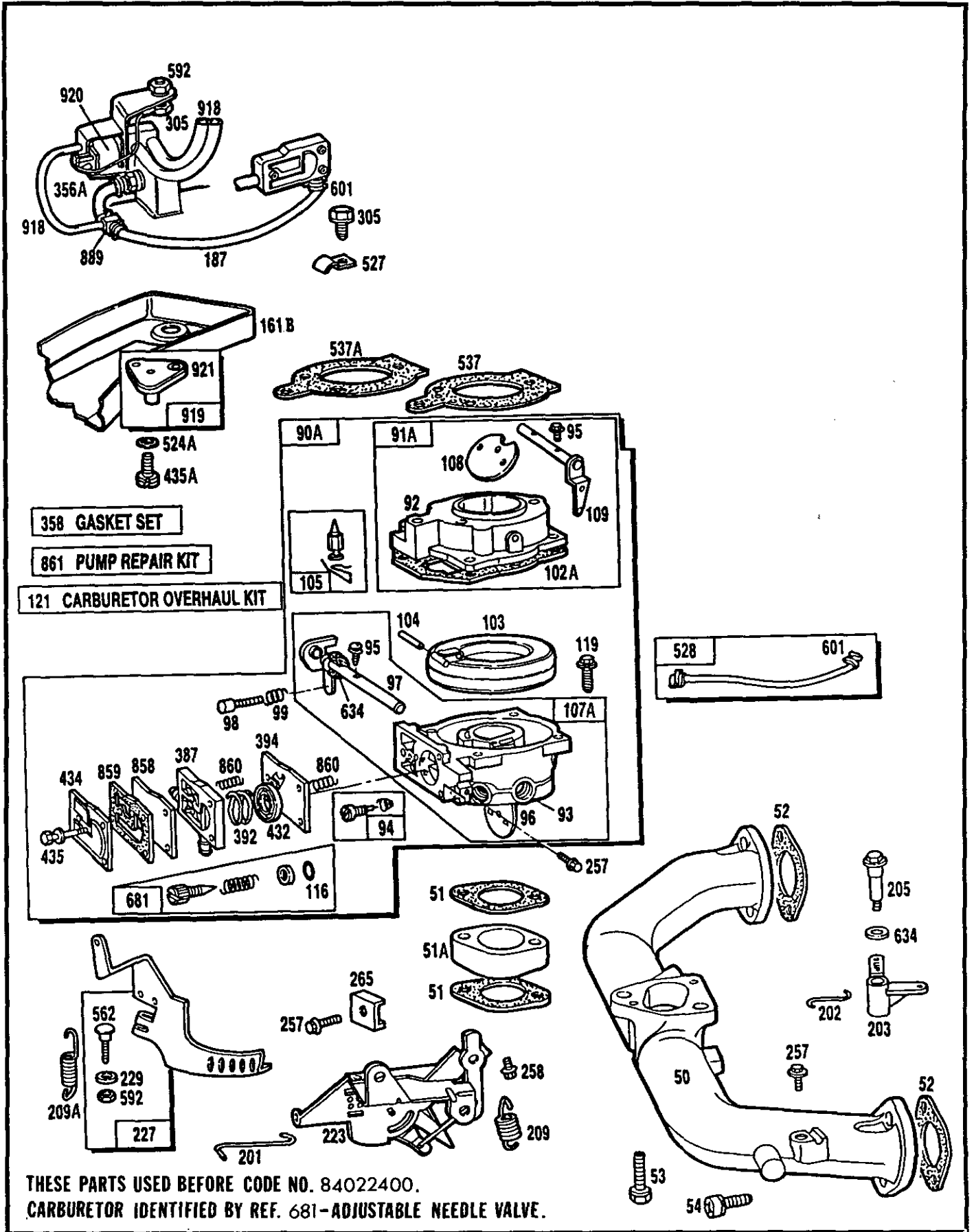


401700 to 401799
402700 to 402799



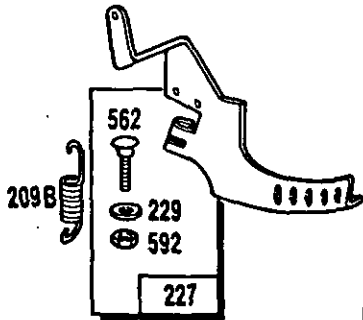
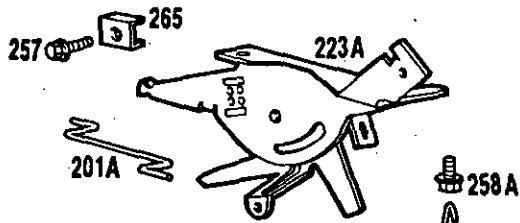
THESE PARTS USED AFTER CODE NO. 84022300.
CARBURETOR IDENTIFIED BY REF. 117-FIXED JET.

401700 to 401799
402700 to 402799

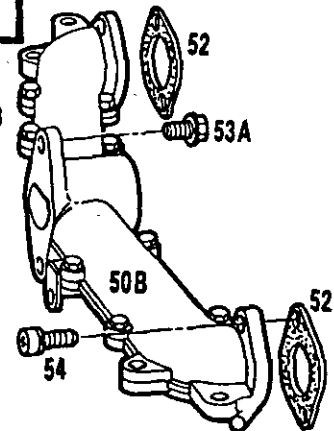
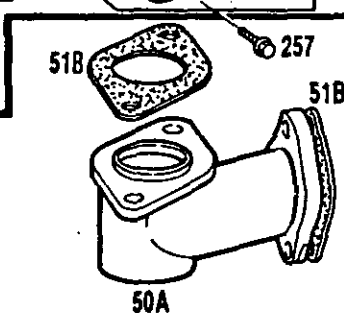
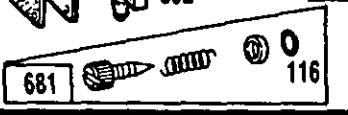
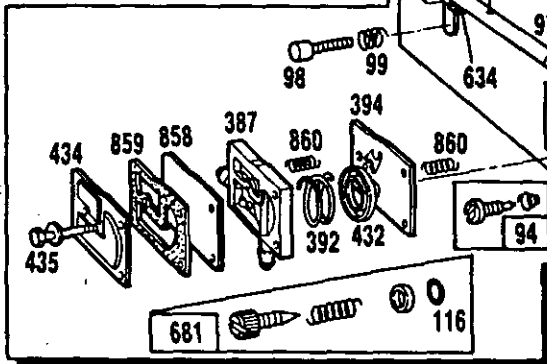
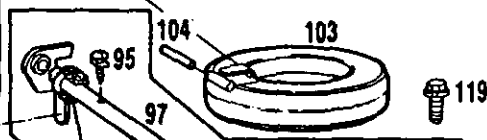
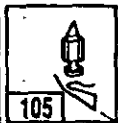
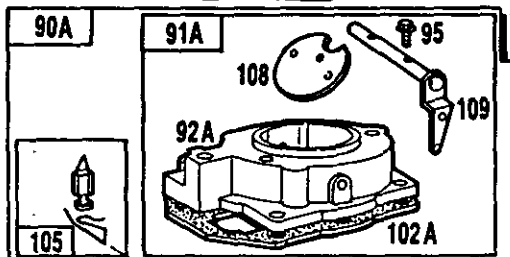


401700 to 401799
402700 to 402799

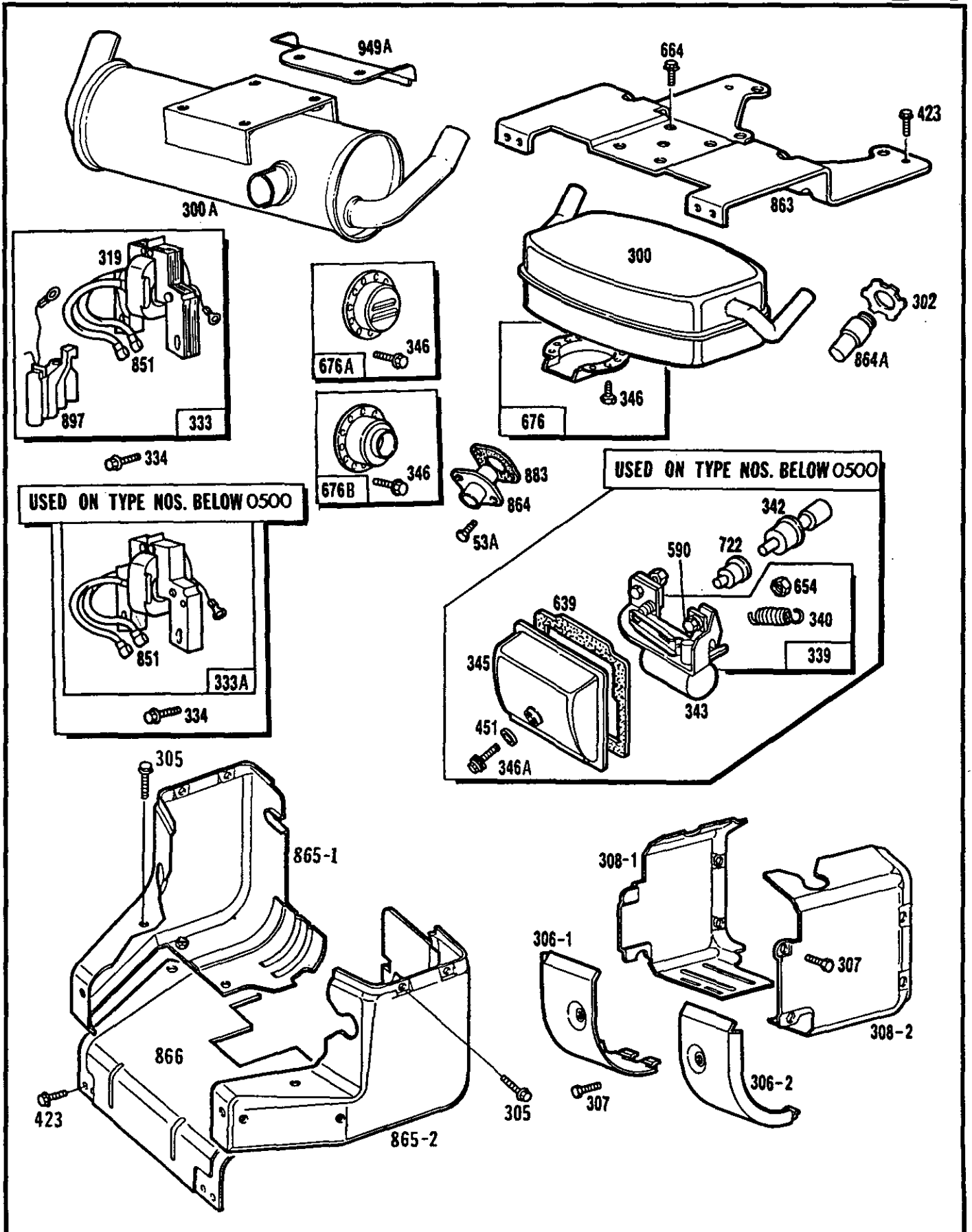
THESE PARTS USED BEFORE CODE NO.
 80092612 MODEL 4017.



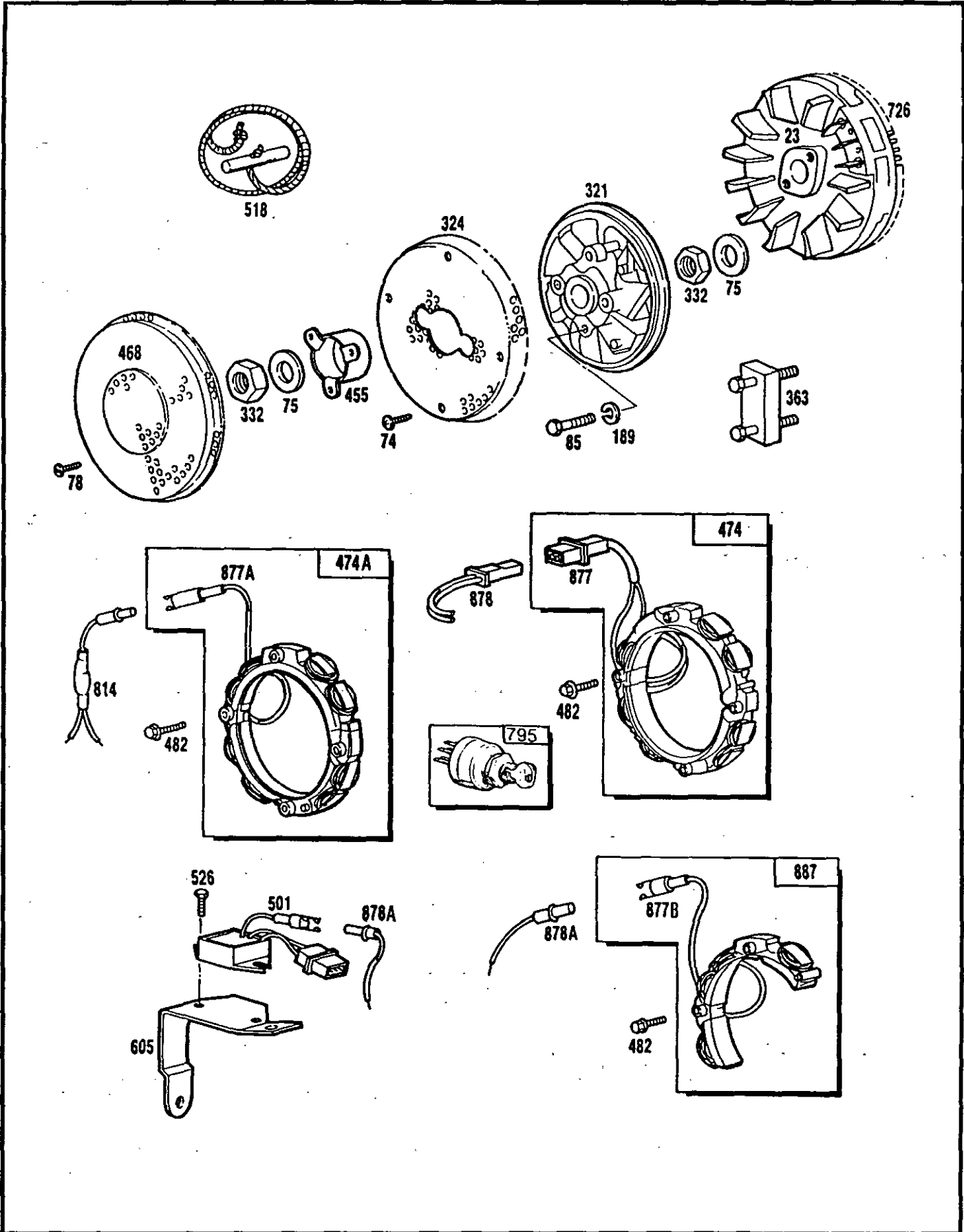
- 358A GASKET SET
- 861 PUMP REPAIR KIT
- 121A CARBURETOR OVERHAUL KIT

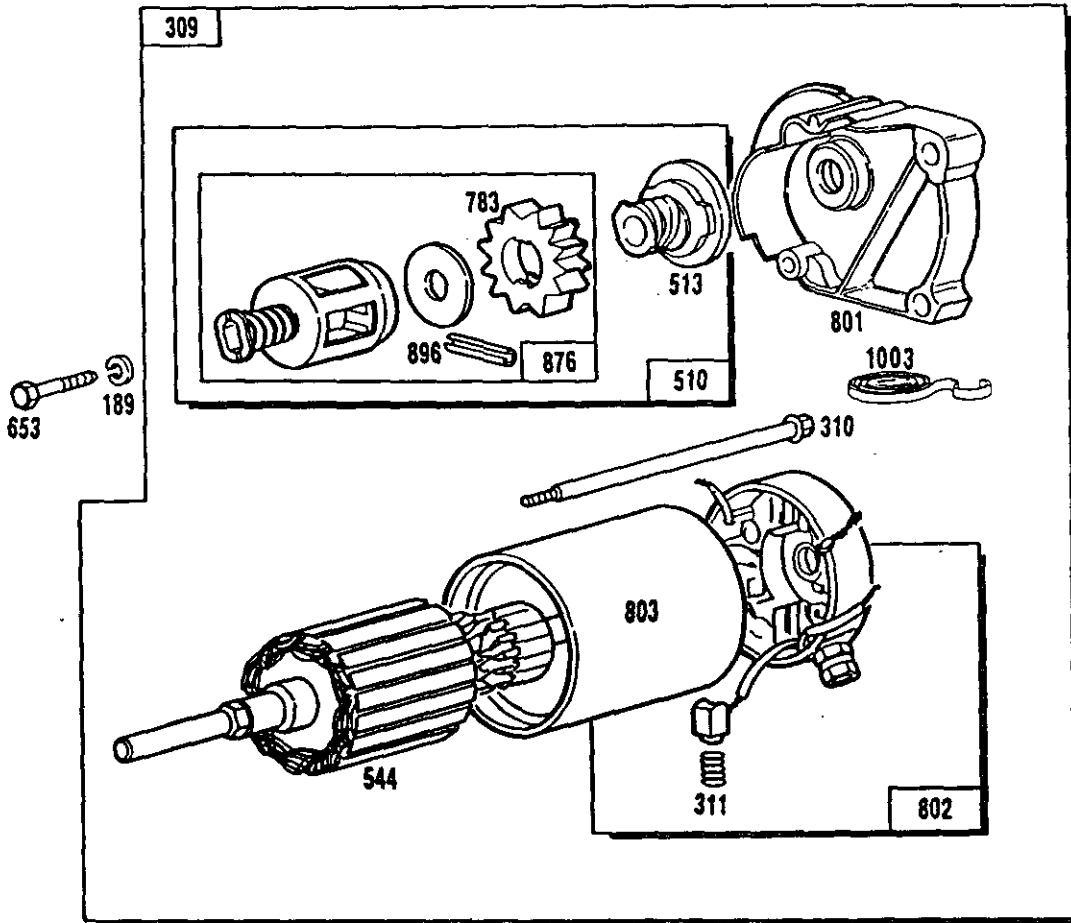


401700 to 401799
402700 to 402799



401700 to 401799
402700 to 402799





Subject		Ref. No. 309	Ref. No. 310	Ref. No. 311	Ref. No. 801	Ref. No. 802	Ref. No. 803	Ref. No. 544	Ref. No. 1003
Starter Motor Mfr.		Motor and Drive Assy.	Thru Bolt	Brush Assembly	End Cap Assy. Drive	End Cap Assy. Commutator	Housing Assembly	Armature Assembly	Brush Spring
Briggs & Stratton	Housing Length								
†12V	3"	393017	93887	391705	393009	394674	**	390837	—
12V	3-5/8"	394808	94003	395538	394860	395537	393825	390837	—
12V	4-1/2"	399928	94169	490311	394860	490310	399172	490309	490316

Subject	Ref. No. 513	Ref. No. 783	Ref. No. 876	Ref. No. 896	Ref. No. 510
Starter Motor Mfr.	Clutch Assembly	Gear	Pinion Spring Kit	Roll Pin	Starter Drive Drive Group
Briggs & Stratton					
12V	391135	280104	393254	93754	396865

NOTE: Style Identification of 12 volt motors.

NEW STYLE: Thru bolt heads are located on the drive end head.

†OLD STYLE: Brush end head is 13/16" wide.

††See Test — Ref. 309 for Specials.

**Part not available. Use 394808 Motor Drive Assembly.

401700 to 401799 402700 to 402799

REF. NO.	PART NO.	DESCRIPTION	REF. NO.	PART NO.	DESCRIPTION	REF. NO.	PART NO.	DESCRIPTION
1	394941	Cylinder Assembly This Group used on Model 401700 Series (Kool-Bore) Note: Cylinders listed below are Used on Type Nos. before 0500. 394941 Cylinder Assy. (Used after Code No. 80092512) 394576 Cylinder Assy. (Used before Code No. 80092612 and after Code No. 79110612) 394577 Cylinder Assy. (Used before Code No.	9	*27803	Gasket—Valve Cover	24	222698	Key—Flywheel (For MAGNETRON® Ignition) Note: 61760 Key—Flywheel (For Breaker Ignition System)
	394941	Cylinder Assembly This part used on Model 402700 Series.	10	93394	Screw—Sem	MODEL 401700 SERIES PISTON ASSEMBLIES: (KOOL-BORE)		
2	261623	Bearing—Cylinder Used on Model 4017 after Type No. 0500 and on All Model 4027.	11	280225	Tube—Breather	25	393271	Piston Assembly—Standard 393343 Piston Assy.—.010" O.S. 393344 Piston Assy.—.020" O.S. 393345 Piston Assy.—.030" O.S.
3	391086	Seal—Oil	12	*271142	Gasket—Crankcase Cover—1/64" thick	MODEL 402700 SERIES PISTON ASSEMBLIES: (SLEEVE BORE)		
5-1	212461	Head—Cylinder #1 Note: 212179 Head—Cyl. (Used on Model 401700 before Code No. 79091712)		*271188	Gasket—Crankcase Cover—.005" thick	394955		Piston Assembly—Standard 394956 Piston Assy.—.010" O.S. 394957 Piston Assy.—.020" O.S. 394958 Piston Assy.—.030" O.S.
5-2	212462	Head—Cylinder #2 Note: 212180 Head—Cyl. (Used on Model 401700 before Code No. 79091712)		*271189	Gasket—Crankcase Cover—.009" thick	MODEL 401700 SERIES PISTON RING SETS: (KOOL-BORE)		
7-1	*271867	Gasket—Cylinder Note: 270984 Gasket—Cylinder Head #1 Used on Model No. 401700	13	93111	Screw—Cylinder Head (1-15/16" long) Note: 93772 Stud—Cylinder Head 22963 Washer Used on Type No. 0182.	26	393277	Ring Set—Piston—Standard 393340 Ring Set—Piston—.010" O.S. 393341 Ring Set—Piston—.020" O.S. 393342 Ring Set—Piston—.030" O.S.
7-2	*271868	Gasket—Cylinder Note: 270983 Gasket—Cylinder Head #2 Used on Model No. 401700	14	93113	Screw—Cylinder Head (2-5/16" long) Note: 93583 Stud—Cylinder Head 22963 Washer Used on Type No. 0182.	MODEL 402700 SERIES PISTON RING SETS: (SLEEVE BORE):		
8-1	393370	Breather Assembly #1	15	91084	Plug—Oil Drain	394959		Ring Set—Piston Standard 394960 Ring Set—Piston—.010" O.S. 394961 Ring Set—Piston—.020" O.S. 394962 Ring Set—Piston—.030" O.S.
8-2	222892	Cover—Breather Cylinder #2 (Used only on Ref. 572 Air Baffle with Holes for Mounting)	16	393382	Crankshaft Note: Order Part 94196 Key or 231160 Pin for Timing Gear Retaining Device.. 393523 Crankshaft Used on Model 401700 Series Type Nos. 0011, 0130, 0511, 0631. Also Used on Model 402700 Series Type Nos. 0011, 0016, 0134.	27	260924	Lock—Piston Pin
			18	393552	Base Assy.—Crankcase	28	299691	Pin Assembly—Piston—Standard 391286 Pin Assembly—Piston—.005" O.S.
			20	291675	Seal—Oil	29	393270	Rod Assembly—Connecting Note: For Connecting Rod with .020" undersize Crankpin Bore—Order No. 393714.
			22	93882	Screw—Crankcase Cover Mtg. Sem Note: 90887 Screw—Crankcase Cover Mtg. 92268 Washer Used on Model 402700 Series Type Nos. 0131, 0148.	MODEL 401700 SERIES PISTON RING SETS: (KOOL-BORE)		
			23	392956	Flywheel and Ring Gear Assy.—Magneto Note: 393480 Flywheel and Ring Gear Assy.— (16 Amp.) Used on Model 401700 Series Type No. 0137 and on Model 402700 Type Nos. 0169, 0183, 0248.	MODEL 402700 SERIES PISTON RING SETS: (SLEEVE BORE):		

*Included in Gasket Set—Part No. 394501.

†Included in Carburetor Overhaul Kit—Part No. 394502.

‡Included in Carburetor Overhaul Kit—Part No. 394502 and Pump Repair Kit—Part No. 393397.

401700 to 401799 402700 to 402799

REF. NO.	PART NO.	DESCRIPTION	REF. NO.	PART NO.	DESCRIPTION	REF. NO.	PART NO.	DESCRIPTION
31	220863	Washer (1/4 x 5/8 x 1/32)	53	93970	Screw—Hex. Head (Carb. to Manifold)			Note: 394602 Body Assembly— Upper Carburetor
32	92909	Screw—Connecting Rod	53A	93415	Screw—Hex. Hd. Sem			Used on Model 402700
33	390420	Valve—Exhaust	54	93208	Screw—Intake Manifold Mtg. Sem			Series Type No. 0131.
		Note: 390419 Valve—Exhaust Used on Model 402700 Series Type Nos. 0109, 0113, 0132, 0134, 0136, 0137, 0138, 0140, 0142, 0146, 0151, 0155, 0157, 0164, 0168, 0169, 0180, 0184, 0186.	74	93808	Screw—Sem	92	394505	Body—Upper Carb.
34	261528	Valve—Intake	75	222511	Washer—Spring			Note: 394606 Body—Upper Carburetor
		Uses: Seal Assy. and Retainer (Ref. No. 868)	78	93805	Screw—Sem			Used on Model 402700
		Note: 261055 Valve—Intake Used on Model 401700 Series (Used before Code No. 80092612.)	85	92674	Screw—Hex. Head	92A	393293	Body—Upper Carb.
35	65906	Spring—Intake Valve	90	397245	Carburetor Assembly (Remote Choke) (Used after Code No. 84022300)	93	231209	Bushing—Throttle Shaft
36	26828	Spring—Exhaust Valve			Note: 397842 Carburetor Assembly Used on Model 402700 Series Type No. 0131.	94	†292681	Valve Assembly— Carburetor Idle
40	221596	Retainer—Intake Valve	90A	394338	Carburetor Assembly (Remote Choke) (Used before Code No. 84022400 and after Code No. 79091712)	95	93499	Screw—Throttle and Choke Valve Mtg. Sem
41	292260	Rotocoil—Exhaust Valve			392806 Carburetor Assy. (Remote Choke) (Used on Model 401700 before Code No. 79091812)	96	221939	Valve—Throttle
42	93630	Retainer—Exhaust Valve Rotocoil (2)			Note: 394603 Carburetor Assy. Used on Model 402700 Series Type No. 0131.	97	392672	Shaft and Lever— Throttle
45	261368	Tappet—Valve	91	399535	Body Assembly— Upper Carburetor (Used after Code Date 85082500.)	98	91920	Screw—Machine, Fil. Hd.—8-32 x 5/8"
46	212337	Gear—Cam (Used with Electronic Ignition)			397241 Body Assembly— Upper Carburetor (Used before Code Date 85082600 and after 84022300.)	99	26157	Spring—Throttle Adjustment
		Note: 212415 Gear—Cam Used on Model 401700 before Type 0500. (Used only with Cyl. Hds. 212461 & 212462) 212173 Gear—Cam (Used on Model 401700 before Code No. 79091712)	91A	393297	Body Assembly— Upper Carburetor Used on Model 402700 Series Type No. 0131.	102	†271607	Gasket—Carburetor Body
50	212965	Manifold Assy.—Intake			Note: 397840 Body Assembly— Upper Carburetor Used on Model 402700 Series Type No. 0131.	102A	†271008	Gasket—Carburetor Body (Used before Code No. 84022400)
50A	394598	Elbow—Intake				103	298514	Float—Carburetor
50B	393349	Manifold Assy.—Intake				104	†230896	Pin—Float Hinge
51	†271412	Gasket—Carb. and Intake Elbow				105	†394681	Valve—Fuel Inlet
51A	280319	Spacer—Carburetor				107	399623	Body—Lower Carb. (Used after Code Date 85082500.)
51B	*271015	Gasket—Carb. and Intake Elbow						Note: 397270 Body—Lower Carburetor (Used before Code Date 85082600 and after Code Date 84022300.)
52	*270884	Gasket—Intake Manifold Mtg.				107A	394352	Body—Lower Carburetor (Used before Code No. 84022400 and after Code No. 79091712.)

*Included in Gasket Set—
Part No. 394501.

†Included in Carburetor Overhaul
Kit—Part No. 394502.

401700 to 401799 402700 to 402799

REF. NO.	PART NO.	DESCRIPTION	REF. NO.	PART NO.	DESCRIPTION	REF. NO.	PART NO.	DESCRIPTION
108	223534	Valve—Choke (Used after Code Date 85082500.)	220	222773	Washer—Thrust	305	93158	Screw—Sem
	Note:	222010 Valve—Choke (Used before Code Date 85082600.)	223	394538	Plate Assembly— Governor Control	306-1	222846	Shield—Cylinder
109	392673	Shaft and Lever—Choke	223A	393353	Plate Assembly— Governor Control	306-2	222847	Shield—Cylinder
116	†65978	Packing—Needle Valve	227	394470	Lever Assy.—Governor (Used after Code No. 80092612)	307	93163	Screw—Sem
116A	280474	O-Ring		Note:	393351 Lever Assy.— Governor	308-1	222848	Cover—Air Guide
117	231338	Jet—Needle Valve (Fixed)			(Used on Model 401700 before Code No. 80092512)	308-2	222849	Cover—Air Guide
	Note:	231333 Jet—Needle Valve (Fixed) (High Altitude)	229	222289	Washer	309		Motor—Starting See Chart for Replace- ment Parts for Starting Motors on Page 9.
119	94152	Screw—Hex. Hd. Sem (10-32 x 3/4")	230	220863	Washer—Gov. Crank (Inside)	319	394988	Armature Assembly
120	92290	Washer—Lock No. 10 x 1/16 x 3/64	230A	93852	Washer—Gov. Crank (Outside) (Used before Code No. 79110712)	321	212277	Fan—Booster Note: 212370 Fan—Booster Used on Model 401700 Type No. 0136 and Model 402700 Type No. 0139.
121	394502	Carburetor Overhaul Kit	240	394358	Filter—Fuel (In Fuel Line to Tank)	324	222872	Screen—Rotating
121A	394034	Carburetor Overhaul Kit	244	230318	Connector—Impulse Pump	332	230674	Nut—Hex.
	Note:	393301 Carburetor Overhaul Kit (Used before Code No. 79031900)	257	93897	Screw—Sem	333	394891	Armature Group MAGNETRON® Ignition
161	398826	Body—Air Cleaner	258	93158	Screw—Sem	333A	392329	Armature Assembly
161A	222861	Body—Air Cleaner	258A	93163	Screw—Sem (For Cast Iron Manifold)	334	93381	Screw—Armature Mtg. Sem
161B	223251	Body—Air Cleaner		Note:	93868 Screw— Sem (For Aluminum Manifold)	337	394539	Plug—Spark (Resistor)
165	94289	Nut—Wing	259	223890	Bracket—Cable	339	393403	Breaker Assembly— Ignition Note: For Conversion to MAGNETRON® Ignition Order Part No. 394891.
171	93715	Nut—Hex.	265	221535	Clamp—Casing Note: 22372 Clamp—Casing Used on Model 402700 Type No. 0134.	340	26018	Spring—Breaker Arm
187	299146	Line—Fuel (28") Cut to Required Length	267	93496	Screw—Hex. Hd.	342	393598	Plunger—Breaker Point
189	90366	Lockwasher	284	94166	Screw—Hex. Hd.	343	392912	Condenser
201	261586	Link—Governor	284A	93893	Screw—Sem	345	212259	Cover—Breaker Point
201A	261479	Link—Governor	284B	93469	Screw—Hex. Hd.	346	93705	Screw—Sem (8-32 x 3/8)
202	261587	Link—Throttle	300	394164	Muffler—Exhaust Note: Muffler Supplied by Original Equipment Manufacturer on Type No. 0152.	346A	93854	Screw—Sem
203	280320	Crank—Bell	300A	490973	Muffler—Exhaust	353	92791	Washer—Lock— Shakeproof
203A	490207	Crank—Bell	302	261409	Locknut—Muffler	354	90576	Nut—Hex.—8-32
205	93971	Screw—Hex. Head	304	393287	Housing—Blower Note: 394443 Housing— Blower Used on Type No. 0148.	356	391115	Wire—Ground Note: 393035 Wire—Ground Used on 401700 before Type 0500. 392074 Wire—Ground Used on Model 4027 Type No. 0139.
209	261720	Spring—Governor Note: 261446 Spring— Governor Used before Code No. 82011700.				358	394501	Gasket Set
209A	261563	Spring—Governor Idle						
209B	261487	Spring—Governor Idle						
216	223841	Link						
219	393415	Oil Slinger Assembly						
219A	394348	Gear—Governor Note: 393273 Gear—Governor (Used on Model 401700 before Code No. 80092612)						

*Included in Gasket Set—
Part No. 394501.

†Included in Carburetor Overhaul
Kit—Part No. 394502.

‡Included in Carburetor Overhaul
Kit—Part No. 394502 and Pump
Repair Kit—Part No. 393397.

401700 to 401799 402700 to 402799

REF. NO.	PART NO.	DESCRIPTION	REF. NO.	PART NO.	DESCRIPTION	REF. NO.	PART NO.	DESCRIPTION
358A	393278	Gasket Set	537A	271423	Gasket—Air Cleaner (Used with Anti-After Fire System Only)	653	91162	Screw—Hex. Hd.— (5/16-18 x 1-1/2")
363	19203	Puller—Flywheel (Optional Accessory)				654	230783	Nut—Contact Point Adjusting Screw
383	89838	Wrench—Spark Plug	537B	271014	Gasket—Air Cleaner	657	93496	Screw—Sem
387	280197	Body—Pump	549	271180	Washer	664	93343	Screw—Sem
392	‡261395	Spring—Pump	552	261559	Lower Bushing—Gov.		Note:	93559 Screw—Hex Head Used on Type Nos. 0133, 0139, 0147, 0150, 0152, 0153, 0158, 0159, 0171, 0181.
394	‡270988	Diaphragm	552A	261560	Upper Bushing— Governor	676	393761	Deflector—Muffler (Side Outlet)
422	222875	Clamp—Oil Filler	556	93585	Screw—Hex. Hd. Sem	676A	222902	Deflector—Muffler (Louvered Outlet)
423	93876	Screw—Sem		Note:	93730 Stud 90366 Lockwasher 22963 Washer Used on Model 402700 Series Type Nos. 0163, 0180, 0182, 0241.	676B	396903	Deflector—Exhaust (Direct Outlet)
432	‡221377	Cap—Spring	562	93853	Bolt—Governor Lever	681	†394033	Valve Assy.—Needle Note: 393298 Valve Assy.— Needle (Used on Model 401700 before Code No. 79030112)
434	222615	Cover—Diaphragm	567	93777	Screw—Hex. Head (Back Plate to Cyl.)	722	280222	Seal—Plunger
435	93829	Screw—Diaphragm Cover	569	*270981	Gasket—Crankcase	725	280623	Tubing—Fuel Line
435A	93955	Screw—#6-32 x 5/8 Long (Vacuum Block Mounting)	572	222912	Baffle—Air (Cyl. #2)	726	391362	Gear—Flywheel Ring (Includes Mounting Parts)
445	394019	Cartridge—Air Cleaner	573	392934	Back Plate Assembly Note: 394448 Back Plate Assembly Used on Model 402700 Type Nos. 0131, 0148.	741	262221	Gear—Timing (Used with Key Note: 231321 Gear— Timing (Used with Pin)
445A	393292	Cartridge—Air Cleaner Note: Use 271197 Gasket (Below Cartridge)	590	93171	Screw—Breaker Sem	795	490066	Switch Assembly—Key
451	271037	Washer—Breaker Box	592	92278	Nut—Hex.—10-24	814	392606	Diode and Connector Assembly—Alternator (Tri—Circuit)
455	222674	Cup—Screen Mounting	601	93053	Clamp—Fuel Line	819	93686	Screw—Hex. Hd. (10-32 x 5/8")
467	212706	Knob—Air Cleaner	605	222959	Bracket—Regulator	842	271170	Seal—Oil Filler Cap
468	222673	Screen—Flush Rotating	615	93851	Retainer—E-Ring	847	394394	Dipstick and Tube Assembly
474	393474	Stator—Alternator (Dual Circuit) Note: 393295 Stator— Alternator (16 Amp.) (Uses Ref. 878A)	616	394349	Crank—Governor	851	221798	Terminal—Ignition Cable
			616A	393309	Crank—Governor	858	‡270989	Diaphragm—Damping
			621	396847	Switch—Stop. (Used after Code Date 85032700.) Note: 297472 Switch—Stop (Used before Code Date 85032800.)	859	‡271025	Gasket—Carb. Pump
474A	392595	Stator—Alternator (Tri-Circuit)	634	†271013	Washer (Throttle Shaft)	860	‡261358	Spring (2)
482	93621	Screw—Sem	634A	271316	Foam Seal—Governor Shaft	861	393397	Repair Kit—Pump
501	394890	Regulator—Alternator (16 Amp.)	635	66538	Elbow—Spark Plug	862	394546	Mounting Strap Assy.—Air Cleaner
506	231174	Terminal	639	*271039	Gasket—Breaker Box			
507	280180	Grommet—Insulator	642	223579	Cover—Air Cleaner			
518	69932	Rope—Starter	642A	223002	Cover—Air Cleaner			
520	93722	Terminal—Spade	643	223714	Cartridge Plate—Air Cleaner			
523	393392	Cap and Dipstick— Oil Filler	643A	222859	Cartridge Plate—Air Cleaner			
524	271157	Seal—Filler Tube						
524A	280341	Seal—Vacuum Block						
525	280224	Tube—Oil Filler						
526	93343	Screw—Regulator						
527	223167	Clamp—Fuel Pipe						
528	393815	Impulse Line and Clamp Assembly						
535	271141	Element—Air Cleaner						
537	*†271411	Gasket—Air Cleaner						

*Included in Gasket Set—
Part No. 394501.

†Included in Carburetor Overhaul
Kit—Part No. 394502.

‡Included in Carburetor Overhaul
Kit—Part No. 394502 and Pump
Repair Kit—Part No. 393397.

401700 to 401799
402700 to 402799

REF. NO.	PART NO.	DESCRIPTION	REF. NO.	PART NO.	DESCRIPTION	REF. NO.	PART NO.	DESCRIPTION
862A	393317	Mounting Strap Assy.—Air Cleaner		Note: 393279	Seal Assy. and Retainer	881	222860	Cover Plate—Crankcase
863	222865	Bracket—Muffler			Used on Model 401700 Series before Type 0500.		Note: 212455	Cover Plate—Crankcase
864	393483	Liner Assy.—Exhaust Port	869	261463	Seat—Intake Valve (Standard)			Used on Model 402700 Series Type Nos. 0131, 0148.
864A	231162	Connector—Muffler		Note: 211661	Seat—Intake Valve	883	271174	Gasket—Exhaust
865-1	393288	Cover Assembly—Air Guide (Cyl. #1)			(Used on Model 401700 before Code No. 80092612)	887	391529	Stator Assembly—Alternator (D.C.)
865-2	393289	Cover Assembly—Air Guide (Cyl. #2)	870	210940	Seat—Exhaust Valve (Standard)	889	231260	Tee
	Note: 397926	Cover Assembly—Air Guide (Cyl. #2) Used on Model 402700 Series Type No. 0148.	871	261961	Guide—Exhaust Valve (Only)	897	394970	Trigger Coil Assy. MAGNETRON® Ignition
	399932	Cover Assy.—Air Guide (Cyl. #2) Used on Model 402700 Series Type Nos. 0010, 0011.		Note: 231218	Guide—Exhaust or Intake (Brass) See Repair Manual	918	280346	Line—Vacuum (7") (Cut to Required Length)
866	393285	Top Plate Assembly	877	393456	Diode and Connector Assembly	919	395379	Vacuum Block Assy.
868	393606	Seal Assembly and Retainer	877A	393537	Connector Assembly (Tri-Circuit)	920	394570	Valve Assembly—Vacuum Solenoid
			877B	393814	Diode and Connector Assy. (D.C.)	921	271421	Gasket—Vacuum Block Solenoid
			878	393362	Alternator Harness Assy. (Dual Circuit)	947	397266	Guard—Static Guard
			878A	393422	Alternator Harness Assembly	949	393330	Guard—Debris
						949A	223935	Plug and Seal—Solenoid
						955	397882	Decal Kit
						1019	491261	



BRIGGS & STRATTON

®